



Technical data

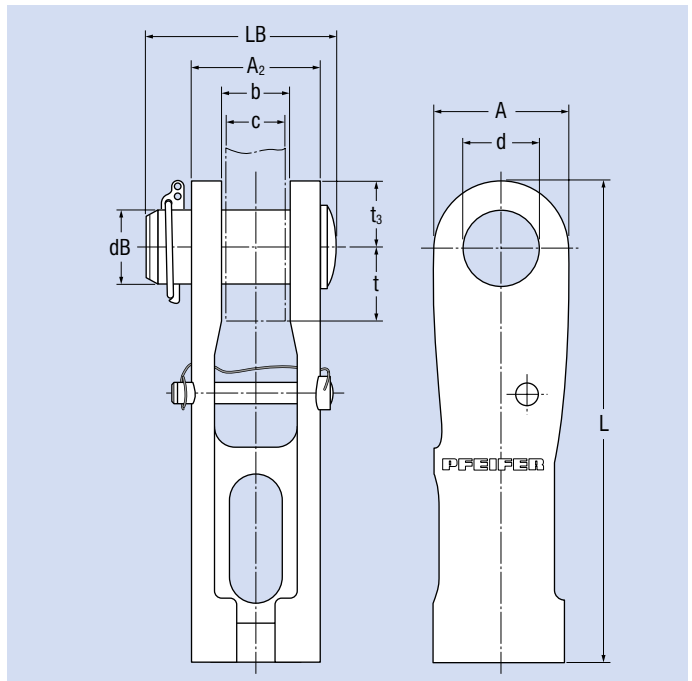
Material bolt	Quenched and tempered steel
Surface bolt	Plasma nitrided
Material housing	Cast steel (cold resistant to -40 °C)
Surface housing	Hot-dip galvanised or painted
Surface hinged safety pin	zinc-plated

Application area

Round strand ropes

Combination products

Swivel PSH 42A
Swivel 96A
Swaged sleeve rotary locked PSH 12A
Resin Socket PSH 13A
Resin Socket rotary locked PSH 14A
Swaged Sleeve PSH 11A
Wedge socket PSH 95A



Don't use non-rotation resistant and rotation resistant ropes with a turnable fixed point (e. g. swivel). The end termination has to be fixed against rotation as well. If this is not observed considerable damage, serious injury or death will occur.

Reference no.	NG	ds	A	A ₂	b	d	dB	LB	L	t _{max}	t ₃	c max	WLL	Weight
		mm	mm	mm	mm	mm	mm	mm	mm	mm	mm	mm	kN	kg
237744	16	14 – 16	58	60	32	31,5	30	97,75	246,5	57,5	29	31	85	2,81
237745	19	17 – 19	70	72	38	36,5	35	114,75	285,5	62,5	35	37	120	4,68
237746	22	20 – 22	80	83	45	42,5	41	128,75	310,5	67,5	40	44	160	4,68
237747	26	23 – 26	95	95	51	51,5	50	148,75	357	72,5	47,5	50	220	10,84
237748	29	27 – 29	107	107	57	58,5	57	163,75	398	77,5	53,5	56	275	15,55
237749	32	30 – 32	120	120	63	65	63,5	179,75	436,5	82,5	58,82	62	335	21,81
237750	36	33 – 36	134	134	70	75	73,5	202,25	487	90	67	69	425	29,74
237751	40	37 – 40	150	150	77	82,5	81	221,75	543	100	75	75	520	42,29
237752	44	41 – 44	165	165	85	86,5	85	241,75	545,5	110	82,5	83	630	55,93
237753	48	45 – 48	180	180	94	91,5	90	262,25	659	120	90	92	755	71,39
237754	52	49 – 52	196	196	104	96,5	95	281,75	710	130	98	102	885	90,09
273711	56	53 – 56	213	213	115	101,5	100	304	771,5	140	106,5	112	1025	116,6
272359	60	57 – 60	233	233	127	106,5	105	314	828,5	150	116,5	124	1180	150

Please note that these are castings with tolerances. Detailed measurements on request!

Dimensions correspond to nominal sizes without tolerance and without coating. Please contact us for exact measurements!