

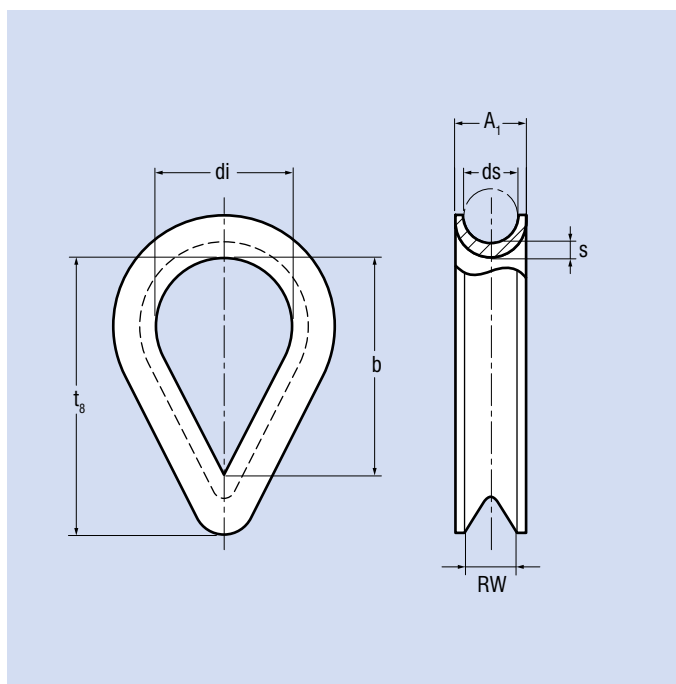


### Technical data

Material steel  
Surface zinc-plated

### Application area

Round strand ropes



Don't use non-rotation resistant and rotation resistant ropes with a turnable fixed point (e. g. swivel). The end termination has to be fixed against rotation as well. If this is not observed considerable damage, serious injury or death will occur.

Reference no.	RW	ds	A <sub>1</sub>	b	di	s	t <sub>8</sub>	Weight
	mm	mm	mm	mm	mm	mm	mm	kg
111323	3	2 – 2,5	5,5	19	12	1,2	25,5	0,01
111324	4	3 – 3,5	6,5	21	13	1,2	26,5	0,01
111325	5	4 – 4	6,5	23	14	1,7	30,5	0,01
111326	6	4,5 – 5	7,5	25	16	2,2	36	0,02
111327	7	5,5 – 6	8,5	28	18	2,2	37	0,02
111328	8	6,5 – 7	10	32	20	2,7	46,5	0,03
111329	10	8 – 9	12,5	38	24	2,9	53,5	0,05
111330	12	10 – 11	15	45	28	3,2	61	0,07
111332	14	12 – 13	17,5	51	32	3,5	71	0,12
111333	16	14 – 15	20	58	36	3,8	76	0,15
111334	18	16 – 17	22	64	40	4,2	89	0,19
111335	20	18 – 18	24,5	72	45	5,2	91,5	0,3
111336	22	19 – 20	27	80	50	5,2	99	0,32
111337	24	21 – 22	30	90	56	6,2	116	0,47
111338	26	23 – 24	33	99	62	6,5	125	0,58
111339	28	25 – 26	35	112	70	7,3	146	0,78
111340	30	27 – 28	37	120	75	8	147	0,99
111341	32	29 – 30	39	128	80	8	159	1,07
111342	34	31 – 32	41	152	95	8	187	1,26
111343	36	33 – 34	43	160	100	8	198	1,38
111345	38	35 – 36	45	176	110	8,5	220	2,09
111346	40	37 – 38	48	184	115	10,5	227	2,94

Dimensions correspond to nominal sizes without tolerance and without coating. Please contact us for exact measurements!

Reference no.	RW	ds	A <sub>1</sub>	b	di	s	t <sub>8</sub>	Weight
	mm	mm	mm	mm	mm	mm	mm	kg
111347	42	39 – 40	50	192	120	10,5	236	3,2
111348	45	41 – 42	57	240	150	10,5	273	4,09
111349	50	43 – 47	—	245	160	12	287	5,21
111331	—	—	—	—	—	—	—	0,09
111350	60	48 – 57	78	260	170	12	317	7,18
111351	65	58 – 63	80	300	180	13	351	7,71
111352	75	64 – 72	95	330	200	15	381	13,93

Dimensions correspond to nominal sizes without tolerance and without coating. Please contact us for exact measurements!