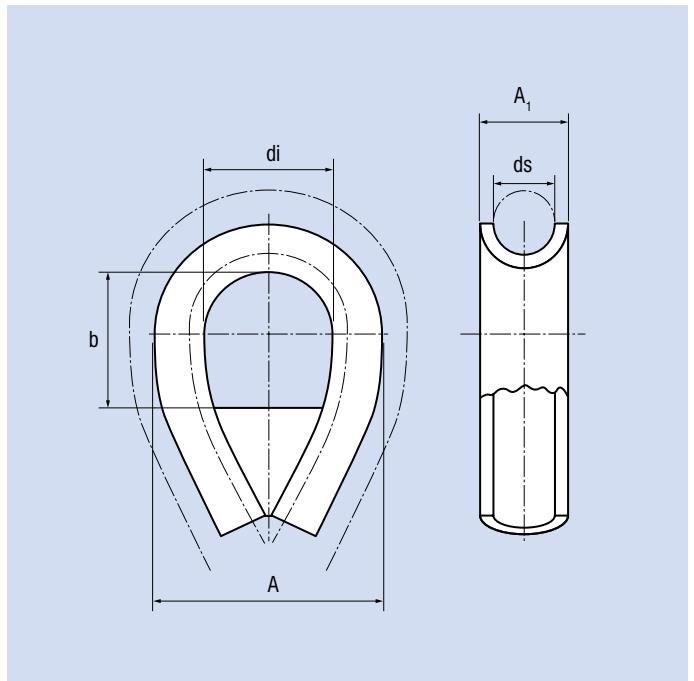




Technical data

Surface painted, galvanized or bare



Don't use non-rotation resistant and rotation resistant ropes with a turnable fixed point (e. g. swivel). The end termination has to be fixed against rotation as well. If this is not observed considerable damage, serious injury or death will occur.

Reference no.	NG	ds	A	A ₁	b	di	Weight
		mm	mm	mm	mm	mm	kg
211009	35	35	150	55	100	80	3,2
211010	40	40	160	65	120	90	5,1
211011	50	50	200	80	125	110	9,2
211012	62	62	250	100	160	140	17,4
211013	72	72	265	115	175	160	19,4
211014	85	85	300	125	245	190	29
211015	100	100	370	150	290	200	39
211016	115	115	380	165	300	210	52

with welded-in cross-piece

Dimensions correspond to nominal sizes without tolerance and without coating. Please contact us for exact measurements!